

**CURTAIN C/W RETRACTABLE
 HARDWARE OPTION SURVEY
 SHEET**

Date: _____

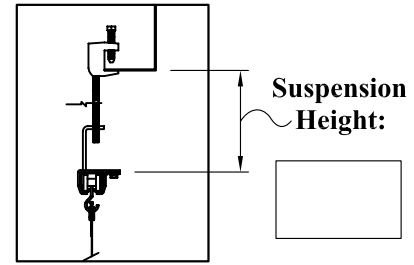
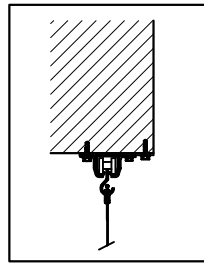
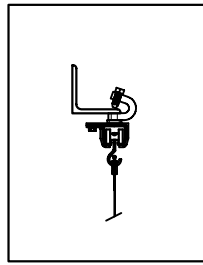
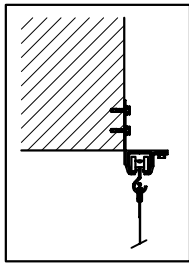
Telephone: Toll free 1-800-263-8334 Fax: (905) 528-8128 E-mail: info@sopers.com

Company name: _____
 Address: _____
 Contact: _____
 Telephone #: _____
 Fax #: _____
 E-mail: _____

What is the purpose of the curtain? Control of:

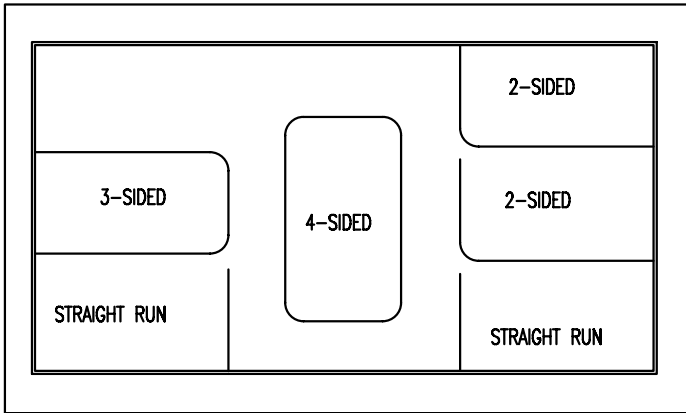
- Fumes/Dust Overspray Welding Noise Other (Please Specify) _____

How will the curtain be fastened?



- Wall Mount Up Edge Clamp Ceiling Mount Track Bracket (Threaded Rod & Beam Clamp)
 Wall Mount Down

Curtain lay-out options:



Please describe fastening details

Illustrate detail if possible

Other

Please indicate curtain lay-out:

- Straight Run 2-sided 3-sided 4-sided

Height _____ Width _____ Depth _____

Material Solid (Opaque) Solid (Opaque) with viewing window

Colour _____ Clear

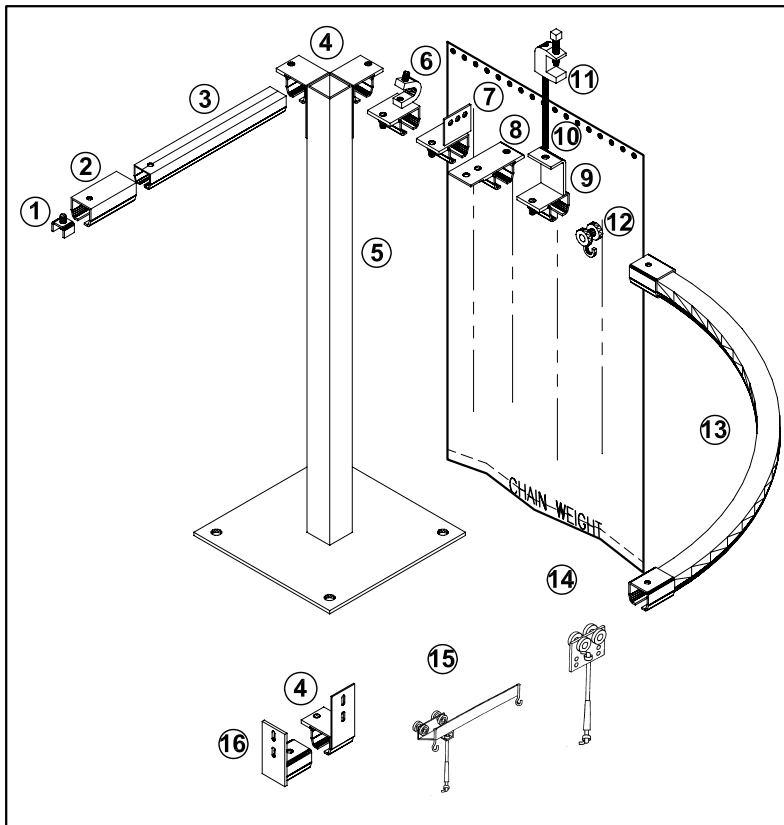
HARDWARE OPTIONS SEE NEXT PAGE

HARDWARE INSTALLATION OPTIONS

16 GAUGE ROLLER TRACK & ACCESSORIES

PLEASE CHECK HARDWARE NEEDED AND QUANTITY

- | | |
|---|---|
| <input type="checkbox"/> ① END STOP QTY _____ PART W04-43400 | <input type="checkbox"/> ⑨ TRACK BRACKET QTY _____ (Threaded Rod) W04-43620 |
| <input type="checkbox"/> ② TRACK SPLICE QTY _____ W04-43700 | <input type="checkbox"/> ⑩ THREADED ROD QTY _____ (@ 10 ft. length) F50-70320 |
| <input type="checkbox"/> ③ ROLLER TRACK QTY _____ W04-43040 | <input type="checkbox"/> ⑪ BEAM CLAMP QTY _____ T35-85600 |
| <input type="checkbox"/> ④ TRACK BRACKET WALL MOUNT a) UP QTY _____ W04-43570 b) DOWN QTY _____ W04-43580 | <input type="checkbox"/> ⑫ TROLLEY (Nylon Wheels) QTY _____ W04-43150 TROLLEY (Steel Wheels) QTY _____ W04-43190 |
| <input type="checkbox"/> ⑤ COLUMNS - 10'-0" Height QTY _____ F80-50020 | <input type="checkbox"/> ⑬ CURVED TRACK QTY _____ 90° - 2'-0" Radius) W04-43120 |
| <input type="checkbox"/> ⑥ TRACK BRACKET QTY _____ (Edge Clamp) W04-45500 | <input type="checkbox"/> ⑭ TROLLEY W/ PULL ROPE QTY _____ (10'-0" rope) W04-44100 |
| <input type="checkbox"/> ⑦ TRACK BRACKET QTY _____ (Vertical) W04-43600 | <input type="checkbox"/> ⑮ OVERLAPPING TROLLEY W/ PULL ROPE QTY _____ W04-45220 |
| <input type="checkbox"/> ⑧ TRACK BRACKET QTY _____ (Ceiling) W04-43280 | <input type="checkbox"/> ⑯ TRACK BRACKET END MOUNT a) UP QTY _____ W04-43340 b) DOWN QTY _____ W04-43320 |



- ⑯ TRACK BRACKET END MOUNT
a) UP QTY _____
W04-43340
b) DOWN QTY _____
W04-43320

CURTAIN SIZE

_____ W x _____ H QTY _____

_____ W x _____ H QTY _____

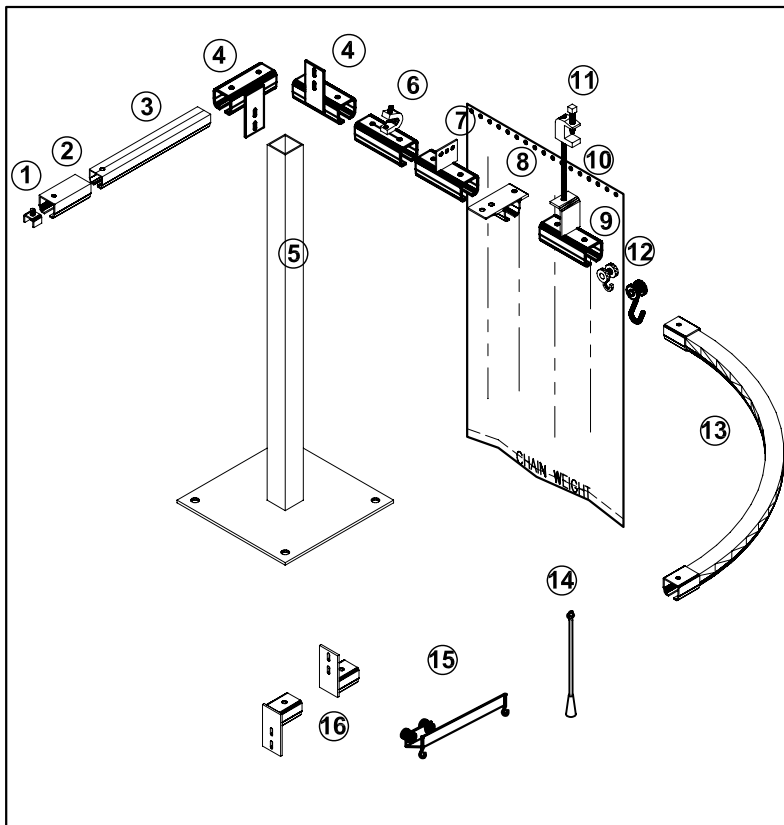
FOR ADDITIONAL
HARDWARE OPTIONS
PHONE 1-800-263-8334

HARDWARE INSTALLATION OPTIONS

12 GAUGE ROLLER TRACK & ACCESSORIES

PLEASE CHECK HARDWARE NEEDED AND QUANTITY

- | | |
|---|--|
| <p><input type="checkbox"/> ① END STOP QTY _____ PART W04-43400</p> <p><input type="checkbox"/> ② TRACK SPLICE QTY _____ W04-50500</p> <p><input type="checkbox"/> ③ ROLLER TRACK QTY _____ W04-50000</p> <p><input type="checkbox"/> ④ TRACK SPLICE WALL MOUNT a) UP QTY _____ W04-50800 b) DOWN QTY _____ W04-50700</p> <p><input type="checkbox"/> ⑤ COLUMNS - 10'-0" Height QTY _____ F80-50020</p> <p><input type="checkbox"/> ⑥ TRACK SPLICE (Edge Clamp) QTY _____ W04-50600</p> <p><input type="checkbox"/> ⑦ TRACK SPLICE (Vertical) QTY _____ W04-50900</p> <p><input type="checkbox"/> ⑧ TRACK BRACKET (Ceiling) QTY _____ W04-50150</p> | <p><input type="checkbox"/> ⑨ TRACK SPLICE (Threaded Rod) QTY _____ W04-50510</p> <p><input type="checkbox"/> ⑩ THREADED ROD QTY _____ (@ 10 ft. length) F50-70320</p> <p><input type="checkbox"/> ⑪ BEAM CLAMP QTY _____ T35-85600</p> <p><input type="checkbox"/> ⑫ STEEL ROLLER 1" QTY _____ W04-50030 STEEL ROLLER 2 1/2" QTY _____ W04-50120</p> <p><input type="checkbox"/> ⑬ CURVED TRACK QTY _____ 90° - 2'-3" Radius) W04-55200</p> <p><input type="checkbox"/> ⑭ PULL ROPE QTY _____ (10'-0" rope) W04-44000</p> <p><input type="checkbox"/> ⑮ OVERLAPPING TROLLEY QTY _____ W04-50130</p> |
|---|--|



- ⑯ TRACK BRACKET END MOUNT
a) UP QTY _____
W04-51600
b) DOWN QTY _____
W04-51500

CURTAIN SIZE

_____ W x _____ H QTY _____

_____ W x _____ H QTY _____

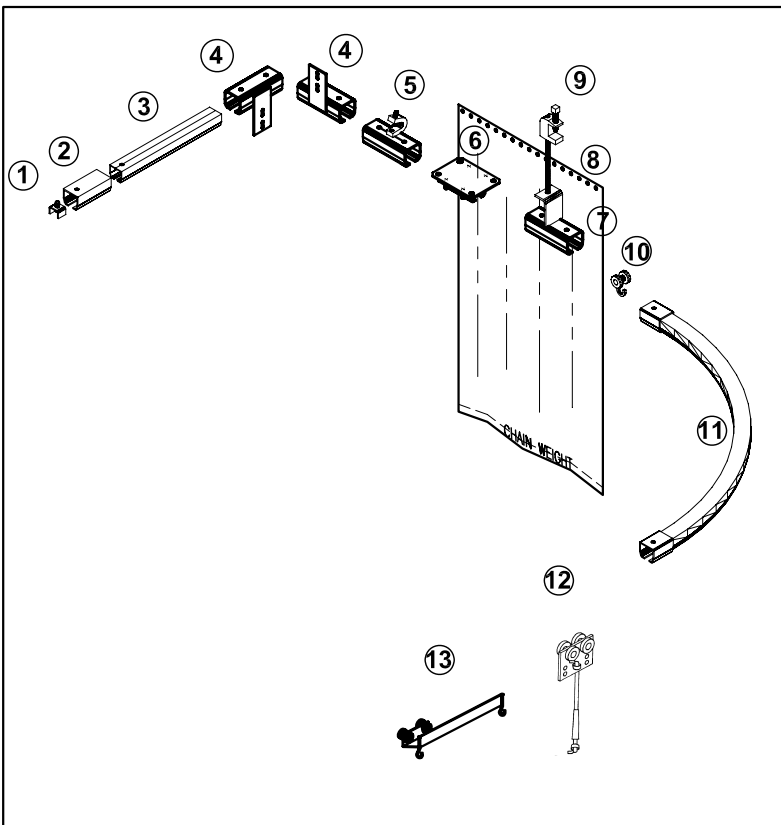
FOR ADDITIONAL
HARDWARE OPTIONS
PHONE 1-800-263-8334

HARDWARE INSTALLATION OPTIONS

16 GAUGE STAINLESS STEEL ROLLER TRACK & ACCESSORIES

PLEASE CHECK HARDWARE NEEDED AND QUANTITY

- | | |
|--|---|
| <input type="checkbox"/> ① END STOP QTY _____ PART W04-48500 | <input type="checkbox"/> ⑦ TRACK SPLICE QTY _____ (Threaded Rod) W04-49150 |
| <input type="checkbox"/> ② TRACK SPLICE QTY _____ W04-49100 | <input type="checkbox"/> ⑧ THREADED ROD QTY _____ (@ 10 ft. length) F50-70316 |
| <input type="checkbox"/> ③ ROLLER TRACK QTY _____ W04-55000 | <input type="checkbox"/> ⑨ BEAM CLAMP QTY _____ T35-85640 |
| <input type="checkbox"/> ④ TRACK SPLICE WALL MOUNT a) UP QTY _____ W04-48900 b) DOWN QTY _____ W04-48920 | <input type="checkbox"/> ⑩ TROLLEY (Nylon Wheels) QTY _____ W04-48700 TROLLEY (Steel Wheels) QTY _____ W04-48650 |
| <input type="checkbox"/> ⑤ TRACK SPLICE QTY _____ (Edge Clamp) W04-49120 | <input type="checkbox"/> ⑪ CURVED TRACK QTY _____ 90° - 2'-3" Radius) W04-48200 |
| <input type="checkbox"/> ⑥ TRACK SPLICE QTY _____ (Ceiling) W04-49300 | <input type="checkbox"/> ⑫ TROLLEY W/ PULL ROPE QTY _____ (10'-0" rope) W04-49400 |
| | <input type="checkbox"/> ⑬ OVERLAPPING TROLLEY W04-48760 QTY _____ |



CURTAIN SIZE

_____ W x _____ H QTY _____

_____ W x _____ H QTY _____

FOR ADDITIONAL
HARDWARE OPTIONS
PHONE 1-800-263-8334