

REQUEST FOR QUOTATION

**SOFTWALL FRAMED
 ENCLOSURE SURVEY SHEET**

Date: _____

Telephone: Toll free 1-800-263-8334 Fax: (905) 528-8128 E-mail: info@sopers.com

DISTRIBUTOR INFORMATION

Company name: _____
 Address: _____
 City: _____
 Province / State: _____
 Contact: _____

**SOFTWALL
 - ENCLOSURE**

END USER INFORMATION (or attach business card)

Company name: _____
 Address: _____
 City: _____
 Province / State: _____
 Contact: _____
 Telephone #: _____
 Fax #: _____
 E-mail: _____

Advise if installation site is different from above. _____
 Available hours to work on site: _____
 Weekend installation? Yes No

Budgetary
 Firm Quotation

Supply Only
 Supply & Install

Installation Requirements
 (By Soper's)

_____ Full Crew
 _____ Supervisor Only

Safety Training Req'd?
 YES NO
 _____ Hours

What is the purpose of the Softwall Enclosure?

Control of:

- Noise Temperature - What is the Temperature? _____
 Fumes/Dust Overspray Physical (Welding / Grinding)
 Chemical Splash (specify) _____ black out Other _____

Description

Briefly describe the application: _____

Also mention (if known): dBA, temperature, chemicals involved, overhead crane, positive / negative pressure, 3rd party equipment, dust collection, excessive air movement (wind): _____

Note:

All fastening hardware for mounting to building structure shall be supplied by the customer.

If mounting hardware supplied by Soper's, specify Fastening Surface:

- Steel Block Wall Brick Wood Other _____

REQUEST FOR QUOTATION

**SOFTWALL FRAMED
 ENCLOSURE SURVEY SHEET**

Date: _____

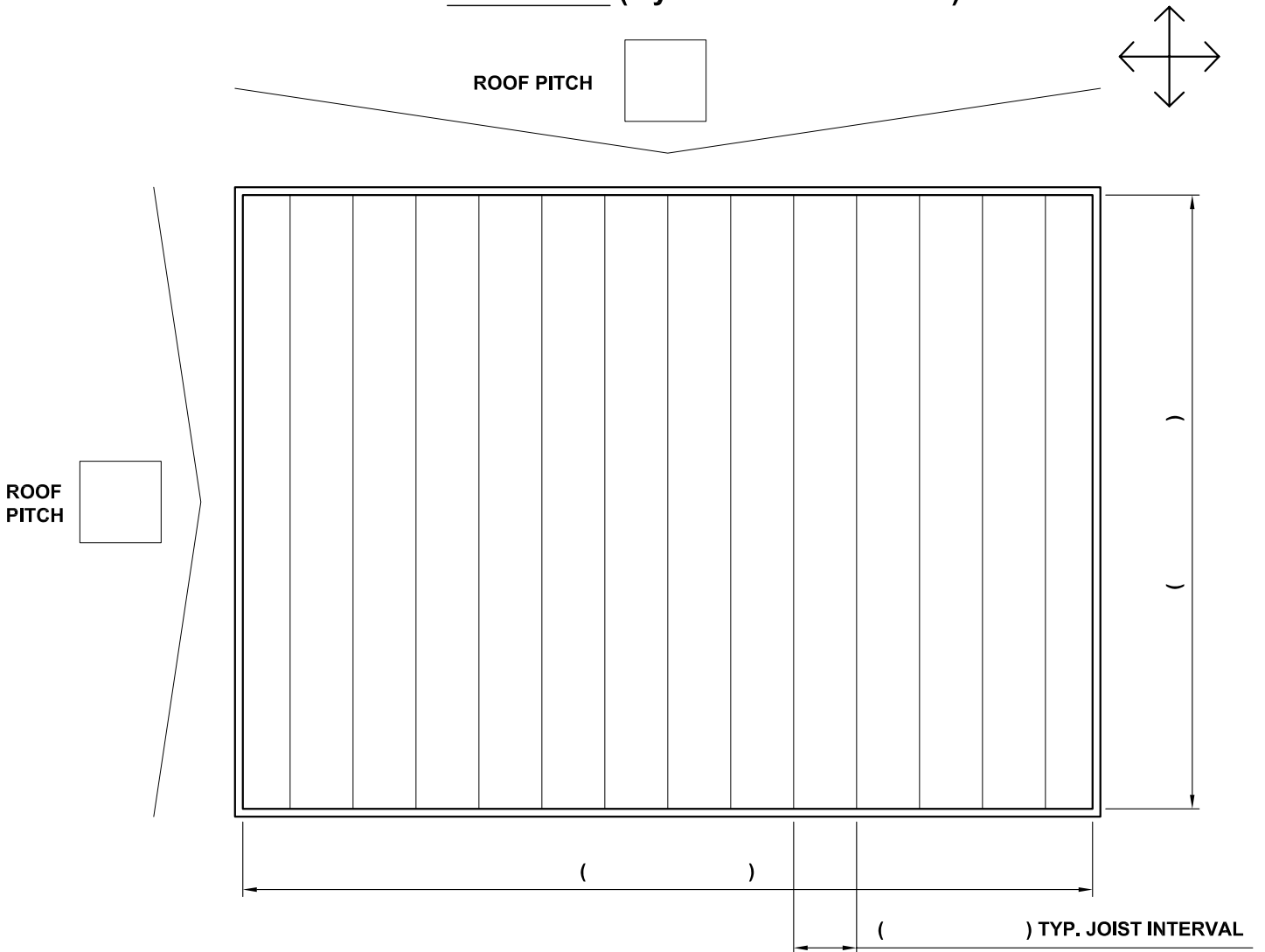
Telephone: Toll free 1-800-263-8334 Fax: (905) 528-8128 E-mail: info@sopers.com

Fabric:

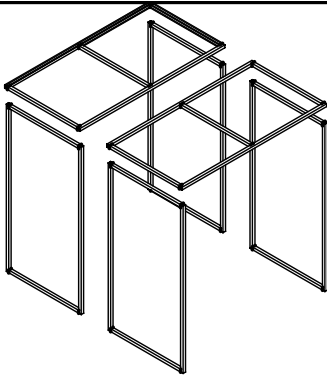
- Solid (opaque) Colour _____
- Solid (opaque) with viewing strip. Colour _____
- Clear PVC Clear VCP with scrim
- Clear PVC antistatic
- PVC (welding grade). Tint Colour _____
- Clear Flex Overlapping Strips.
- Acoustic
- Heat Fabric. Temperature _____

PLAN VIEW (layout with dimensions)

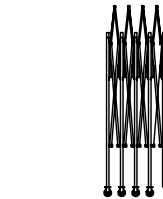
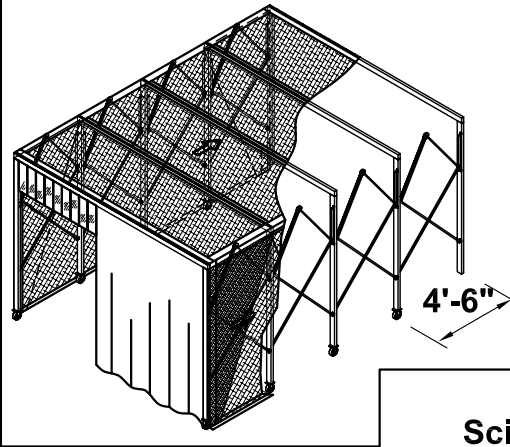
Please indicate North



ENCLOSURE DETAIL



Modular Frames



(RETRACTED)

**Retractable
 Scissors Enclosure**

(Note: Not suitable for Noise Application)

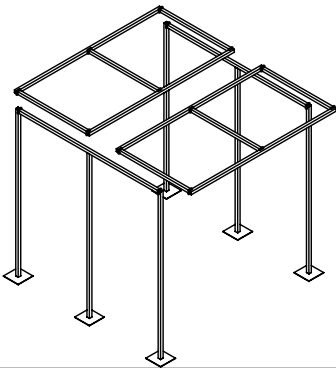
3rd Party Attachments

- Dust Collector Duct Work
 Lights

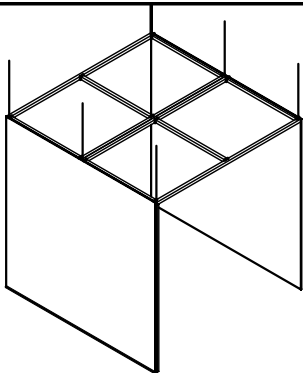
Door Options

- Retractable Curtain
 Stationary ClearFlex Strip Curtain Other

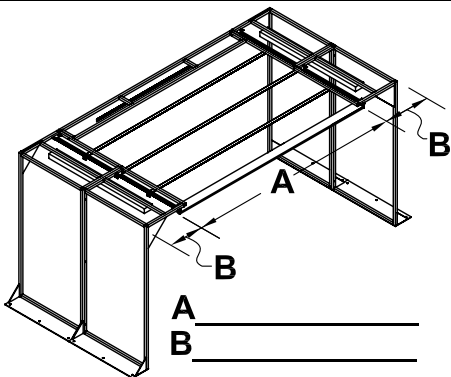
Size: wide: _____ high _____ qty.. _____
 (show location on drawing)



Floor Standard / Suspended Ceiling



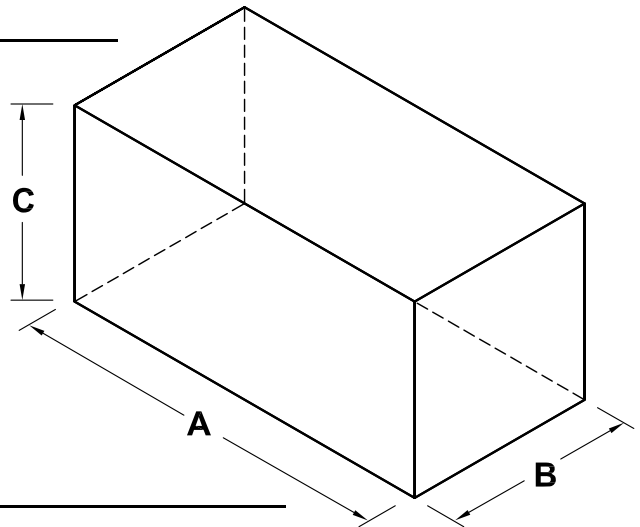
Suspended Ceiling / Walls



Convertible Top

Attach to existing wall YES NO
 Wall type _____

of Sides _____
 (cross out sides that are not required)



Dimension A _____
 Dimension B _____
 Dimension C _____

Roof: YES NO



REQUEST FOR QUOTATION

**SOFTWALL FRAMED
ENCLOSURE SURVEY SHEET**

Date: _____

Telephone: Toll free 1-800-263-8334 Fax: (905) 528-8128 E-mail: info@sopers.com

ADDITIONAL COMMENTS / SKETCHES