

REQUEST FOR QUOTATION

**SOFTWALL PARTITION
 SURVEY SHEET**

Date: _____

Telephone: Toll free 1-800-263-8334 Fax: (905) 528-8128 E-mail: info@sopers.com

DISTRIBUTOR INFORMATION

Company name: _____
 Address: _____
 City: _____
 Province / State: _____
 Contact: _____

**SOFTWALL
 - PARTITION**

END USER INFORMATION (or attach business card)

Company name: _____
 Address: _____
 City: _____
 Province / State: _____
 Contact: _____
 Telephone #: _____
 Fax #: _____
 E-mail: _____

Budgetary
 Firm Quotation

Supply Only
 Supply & Install

Advise if installation site is different from above.

Available hours to work on site: _____

Weekend installation? Yes No

**Installation Requirements
 (By Soper's)**

_____ Full Crew

_____ Supervisor Only

Safety Training Req'd?

YES NO

_____ Hours

What is the purpose of the Softwall Partition / Enclosure?

Control of:

- Noise Temperature - What is the Temperature? _____
 Fumes/Dust Overspray Physical (Welding / Grinding)
 Chemical Splash (specify) _____ Other _____

Description

Briefly describe the application: _____

Also mention (if known): dBA, temperature, chemicals involved, overhead crane, positive / negative pressure, 3rd party equipment, dust collection, excessive air movement (wind): _____

Note:

All fastening hardware for mounting to building structure shall be supplied by the customer.

If mounting hardware supplied by Soper's, specify Fastening Surface:

- Steel Block Wall Brick Wood Other _____

REQUEST FOR QUOTATION

**SOFTWALL PARTITION
 SURVEY SHEET**

Date: _____

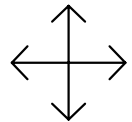
Telephone: Toll free 1-800-263-8334 Fax: (905) 528-8128 E-mail: info@sopers.com

Fabric:

- Solid (opaque) Colour _____
- Solid (opaque) with viewing strip. Colour _____
- Clear PVC Clear VCP with scrim
- Clear PVC antistatic
- PVC (welding grade). Tint Colour _____
- Clear Flex Overlapping Strips.
- Acoustic
- Heat Fabric. Temperature _____

PLAN VIEW (layout with dimensions)

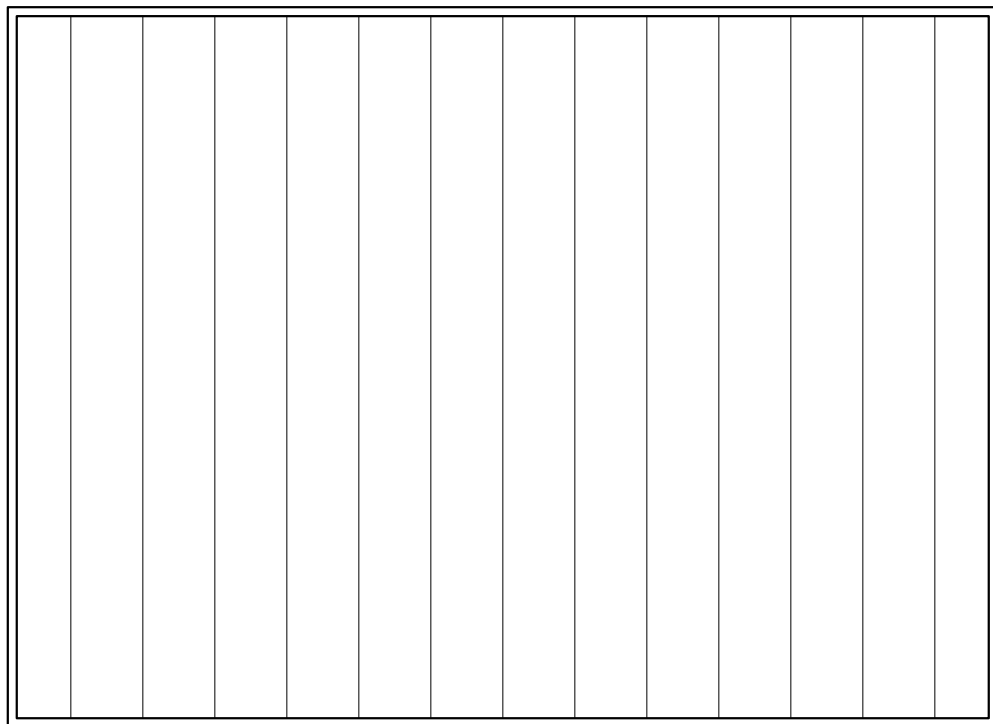
Please indicate North



ROOF PITCH

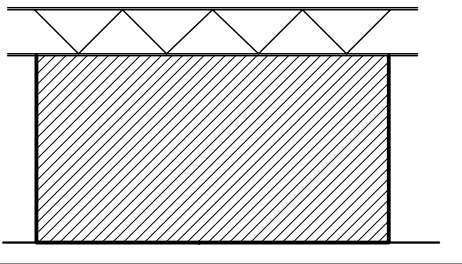


ROOF PITCH

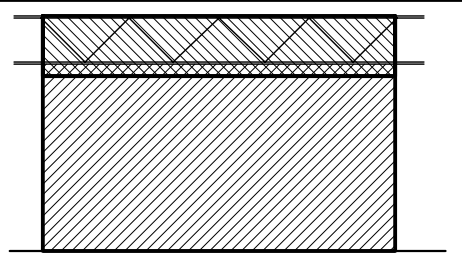


()

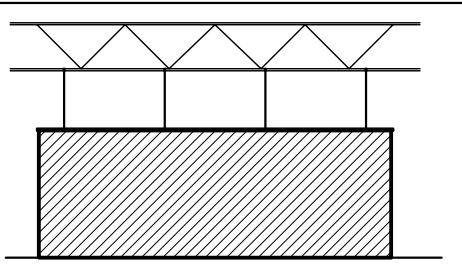
() TYP. JOIST INTERVAL



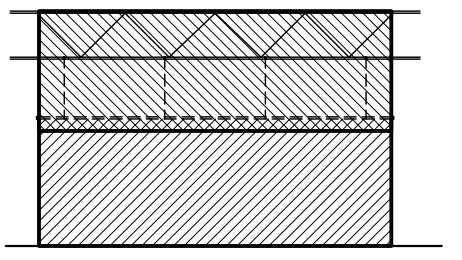
Web Joist to Floor



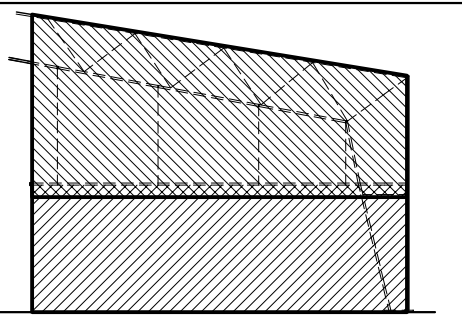
C/W Valance



Suspended Header



C/W Valance

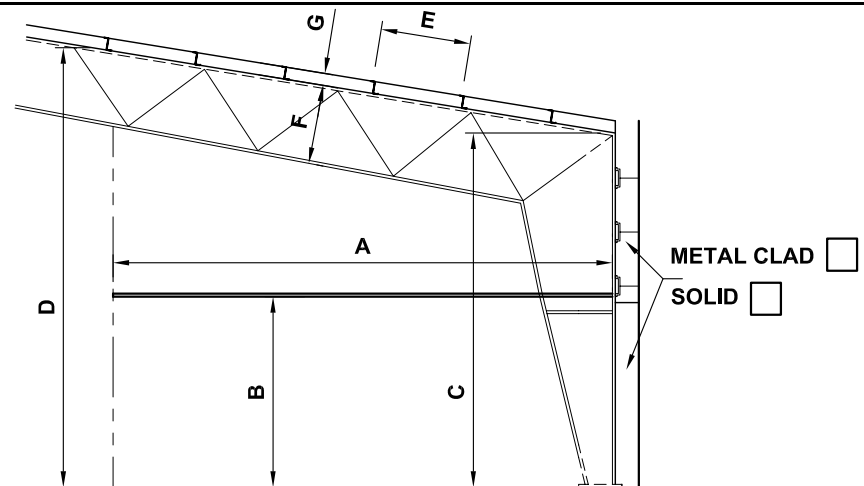
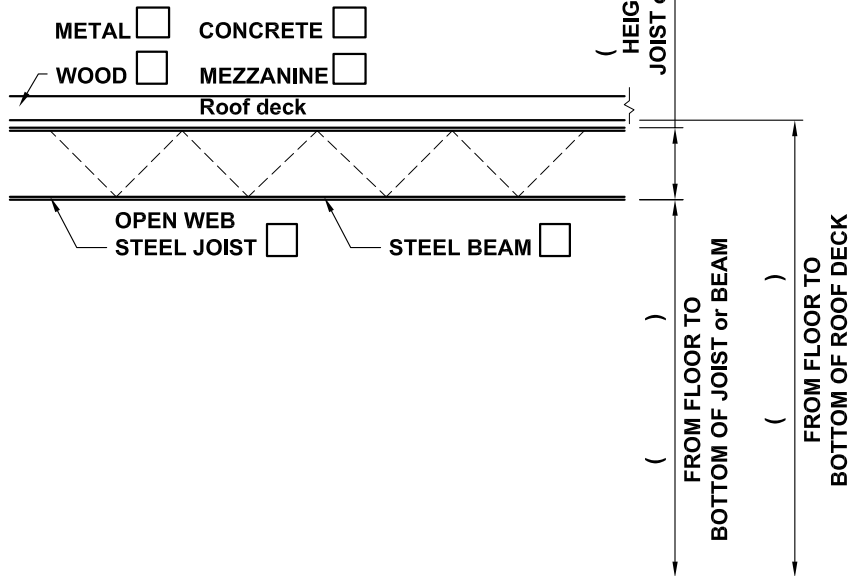


Sloped Roof - Suspended Header

C/W Valance

ELEVATION INFORMATION

- sketch partition design
 (use additional sheets if needed)



Dimension A _____
 Dimension B _____
 Dimension C _____
 Dimension D _____
 Dimension E _____

Dimension F _____
 Dimension G _____

PARTITION

Retractable Stationary
 Attach to floor
 Chain weight
 Attach to walls

Doors: _____
 Clear Flex _____ Size _____
 Retractable
 Curtain _____ Size _____
 Other _____ Size _____



REQUEST FOR QUOTATION

**SOFTWALL PARTITION
SURVEY SHEET**

Date: _____

Telephone: Toll free 1-800-263-8334 Fax: (905) 528-8128 E-mail: info@sopers.com

ADDITIONAL COMMENTS / SKETCHES