

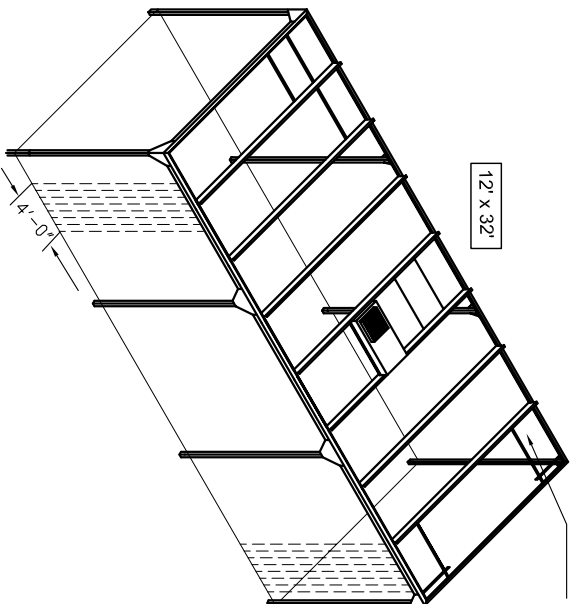
**SOFTWALL CLEANROOM - SURVEY SHEET**

Telephone: Toll free 1-800-263-8334 Fax: (905) 528-8128 Hamilton, Ontario

**REQUEST FOR QUOTE**

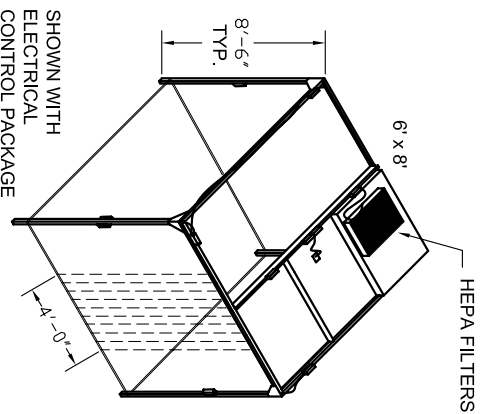
Date: \_\_\_\_\_  
 Part #: 123-00800 Cleanroom

Company name: \_\_\_\_\_  
 Address: \_\_\_\_\_  
 Contact: \_\_\_\_\_  
 Telephone #: \_\_\_\_\_  
 Fax #: \_\_\_\_\_  
 E-mail: \_\_\_\_\_



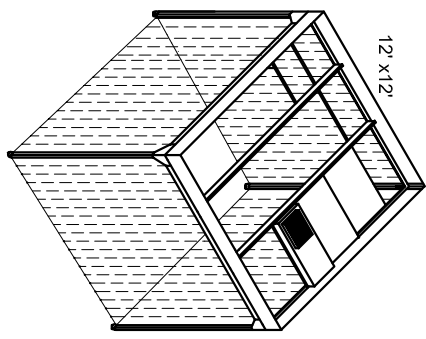
CEILING OPTIONS:

- CLEAR PVC PANELS
- CLEAN ROOM CEILING TILES
- CLEAN ROOM LIGHT FIXTURES

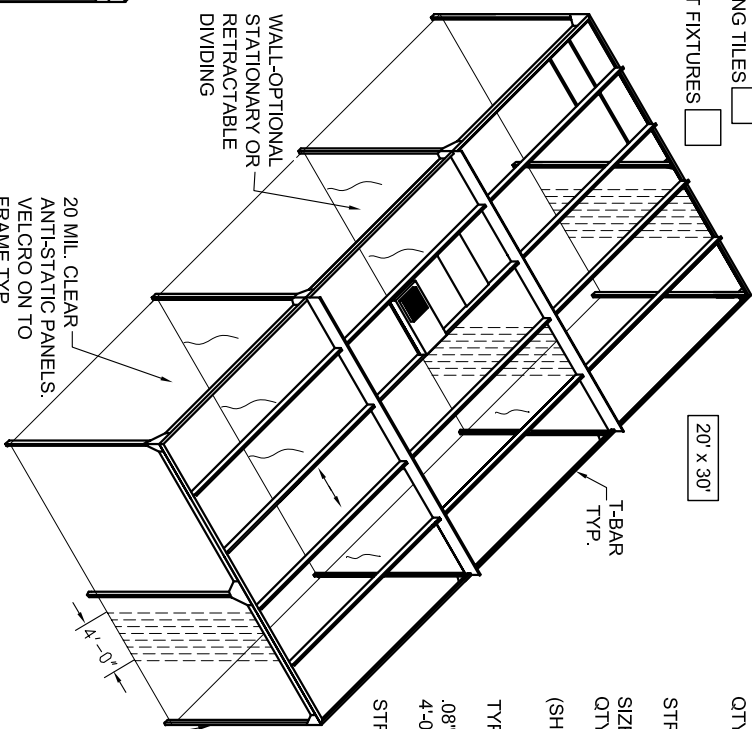


HEPA FILTERS

SHOWN WITH ELECTRICAL CONTROL PACKAGE



SHOWN WITH ALL CURTAIN STRIPS & FACIA



20' x 30'

T-BAR TYP.

WALL-OPTIONAL STATIONARY OR RETRACTABLE DIVIDING

20 MIL. CLEAR ANTI-STATIC PANELS. VELCRO ON TO FRAME TYP. (40 MIL. AVAILABLE AS AN OPTION)

SHOWN WITH INTERNAL CURTAIN WALLS

CLEAN ROOM SIZE: \_\_\_\_\_ W x \_\_\_\_\_ H x \_\_\_\_\_ D  
 CLEANLINESS CLASS REQD. \_\_\_\_\_

RETRACTABLE CURTAIN ACCESS:

SIZE: \_\_\_\_\_  
 QTY. \_\_\_\_\_

STRIP CURTAIN ACCESS:

SIZE \_\_\_\_\_  
 QTY. \_\_\_\_\_

(SHOW LOCATION OF CURTAINS)

TYP. STRIP CURTAIN ACCESS:

.08" x 8" WIDE ANTI - STATIC STRIPS  
 4'-0" W x 8'-0" H

STRIPS SUSPENDED WITH 2" OVERLAP

FRAME OPTIONS

- POWDER COATED STEEL
- STAINLESS STEEL
- ALUMINUM
- GALVANIZED STEEL

LEVELLING FEET OR BOLT TO FLOOR

NOTE: ALL CLEANROOMS ARE CUSTOM BUILT TO ORDER. NOT SUITABLE FOR HUMIDITY CONTROL APPLICATION