

# REQUEST FOR QUOTATION

## PORT-A-SCREEN - SURVEY SHEET & INSTRUCTIONS

Telephone: Toll free 1-800-263-8334 Fax: (905) 528-8128 Hamilton, Ontario

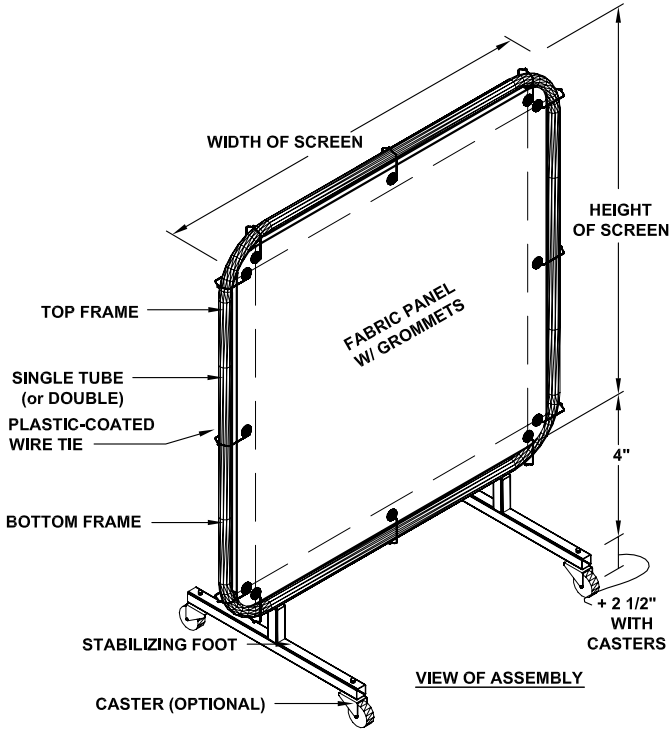
Company name: \_\_\_\_\_  
 Address: \_\_\_\_\_  
 Contact: \_\_\_\_\_  
 Telephone #: \_\_\_\_\_  
 Fax #: \_\_\_\_\_  
 E-mail: \_\_\_\_\_

Date: \_\_\_\_\_  
 Part #: 104-00050

# PORT-A-SCREEN

### ABOUT PORT-A-SCREENS:

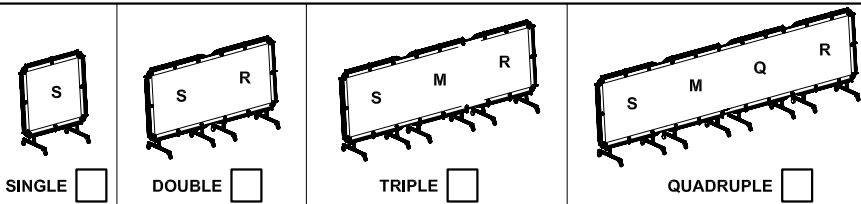
All Port-a-Screen kits are supplied complete with an 18 gauge galvalum tubular steel frame (slip-fit connections) with stabilizing feet, a fabric panel with grommets around the perimeter, and plastic coated wire ties to fasten the fabric panel to the frame. Note: All fabric panels are in one piece, and are approximately 3" shorter (in width and in height) than the frame dimension.



SCREEN SIZES STANDARD STOCK:				MATERIAL:				
	OVERALL SIZE	PANEL SIZES	APPROX. WEIGHT	10 oz.* COTTON	14 mil. PVC**			
					YELLOW	GREEN	BLUE	ORANGE
SINGLE PANEL	6' X 6'	1 @ 6' X 6'	25 lbs.	<input type="checkbox"/>	<input type="checkbox"/>	<input type="checkbox"/>	<input type="checkbox"/>	<input type="checkbox"/>
TRIPLE PANEL	10' X 5'	1 @ 4' X 5' 2 @ 3' X 5'	35 lbs.	<input type="checkbox"/>	<input type="checkbox"/>	<input type="checkbox"/>	<input type="checkbox"/>	<input type="checkbox"/>
TRIPLE PANEL	12' X 5'	1 @ 6' X 5' 2 @ 3' X 5'	40 lbs.	<input type="checkbox"/>	<input type="checkbox"/>	<input type="checkbox"/>	<input type="checkbox"/>	<input type="checkbox"/>
TRIPLE PANEL	18' X 6'	3 @ 6' X 6'	45 lbs.	<input type="checkbox"/>	<input type="checkbox"/>	<input type="checkbox"/>	<input type="checkbox"/>	<input type="checkbox"/>

2 1/2" SWIVEL CASTERS FOR STABILIZING FEET

\* 10 oz. FLAME & WATER RESISTANT COTTON DUCK  
 \*\* TEMPERATURE RATING: -20°F TO 150°F; CSFM F-190



### CUSTOMIZED SIZE OPTIONS:

In addition to our standard stock sizes, we supply customized Port-a-Screen kits for single, double, triple or quadruple screens (see illustration on the left). Multiple screens will have a uniform height, but the frame widths may vary. Please, mark each of your frame width selections in boxes with letters as shown in the illustration.

OPTIONAL SCREEN SIZES (PER SINGLE PANEL):						MATERIAL:				
WIDTH OF SCREEN	HEIGHT OF SCREEN					10 oz.* COTTON	14 mil. PVC**			
	3'-0"	4'-0"	5'-0"	6'-0"	8'-0"		YELLOW	GREEN	BLUE	ORANGE
2'-0"	<input type="checkbox"/>	<input type="checkbox"/>	<input type="checkbox"/>	<input type="checkbox"/>	<input type="checkbox"/>	<input type="checkbox"/>	<input type="checkbox"/>	<input type="checkbox"/>	<input type="checkbox"/>	<input type="checkbox"/>
3'-0"	<input type="checkbox"/>	<input type="checkbox"/>	<input type="checkbox"/>	<input type="checkbox"/>	<input type="checkbox"/>	<input type="checkbox"/>	<input type="checkbox"/>	<input type="checkbox"/>	<input type="checkbox"/>	<input type="checkbox"/>
4'-0"	<input type="checkbox"/>	<input type="checkbox"/>	<input type="checkbox"/>	<input type="checkbox"/>	<input type="checkbox"/>	<input type="checkbox"/>	<input type="checkbox"/>	<input type="checkbox"/>	<input type="checkbox"/>	<input type="checkbox"/>
5'-0"	<input type="checkbox"/>	<input type="checkbox"/>	<input type="checkbox"/>	<input type="checkbox"/>	<input type="checkbox"/>	<input type="checkbox"/>	<input type="checkbox"/>	<input type="checkbox"/>	<input type="checkbox"/>	<input type="checkbox"/>
6'-0"	<input type="checkbox"/>	<input type="checkbox"/>	<input type="checkbox"/>	<input type="checkbox"/>	<input type="checkbox"/>	<input type="checkbox"/>	<input type="checkbox"/>	<input type="checkbox"/>	<input type="checkbox"/>	<input type="checkbox"/>
7'-0"	<input type="checkbox"/>	<input type="checkbox"/>	<input type="checkbox"/>	<input type="checkbox"/>	<input type="checkbox"/>	<input type="checkbox"/>	<input type="checkbox"/>	<input type="checkbox"/>	<input type="checkbox"/>	<input type="checkbox"/>
8'-0"	<input type="checkbox"/>	<input type="checkbox"/>	<input type="checkbox"/>	<input type="checkbox"/>	<input type="checkbox"/>	<input type="checkbox"/>	<input type="checkbox"/>	<input type="checkbox"/>	<input type="checkbox"/>	<input type="checkbox"/>
9'-0"	<input type="checkbox"/>	<input type="checkbox"/>	<input type="checkbox"/>	<input type="checkbox"/>	<input type="checkbox"/>	<input type="checkbox"/>	<input type="checkbox"/>	<input type="checkbox"/>	<input type="checkbox"/>	<input type="checkbox"/>
10'-0"	<input type="checkbox"/>	<input type="checkbox"/>	<input type="checkbox"/>	<input type="checkbox"/>	<input type="checkbox"/>	<input type="checkbox"/>	<input type="checkbox"/>	<input type="checkbox"/>	<input type="checkbox"/>	<input type="checkbox"/>

2 1/2" SWIVEL CASTERS FOR STABILIZING FEET