

REQUEST FOR QUOTATION



CURTAIN C/W RETRACTABLE HARDWARE OPTION SURVEY SHEET

Date: _____
Part #: 103-00050 CURTAIN

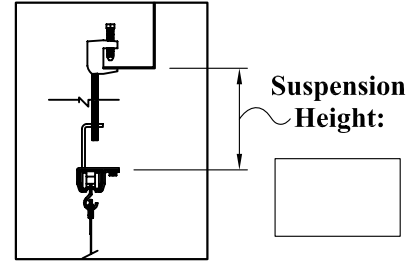
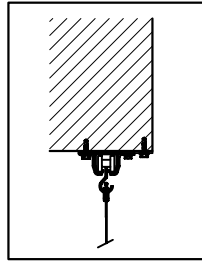
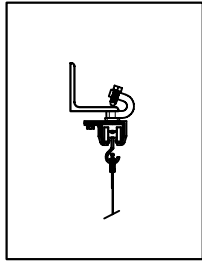
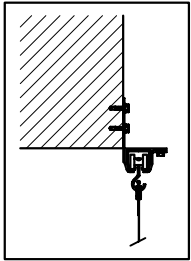
Telephone: Toll free 1-800-263-8334 Fax: (905) 528-8128 Hamilton, Ontario

Company name: _____
 Address: _____
 Contact: _____
 Telephone #: _____
 Fax #: _____
 E-mail: _____

What is the purpose of the curtain? Control of:

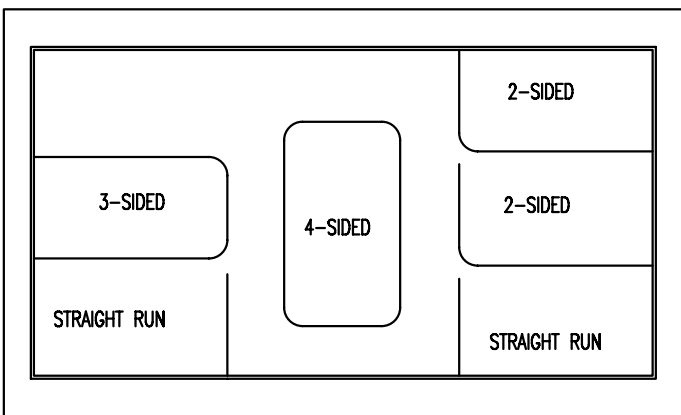
- Fumes/Dust Overspray Welding Noise Other (Please Specify) _____

How will the curtain be fastened?



- Wall Mount Up Edge Clamp Ceiling Mount Track Bracket (Threaded Rod & Beam Clamp)
 Wall Mount Down

Curtain lay-out options:



Please describe fastening details

 Illustrate detail if possible

Other

Please indicate curtain lay-out:

- Straight Run 2-sided 3-sided 4-sided

Height _____ Width _____ Depth _____

Material Solid (Opaque) Solid (Opaque) with viewing window

Colour _____ Clear

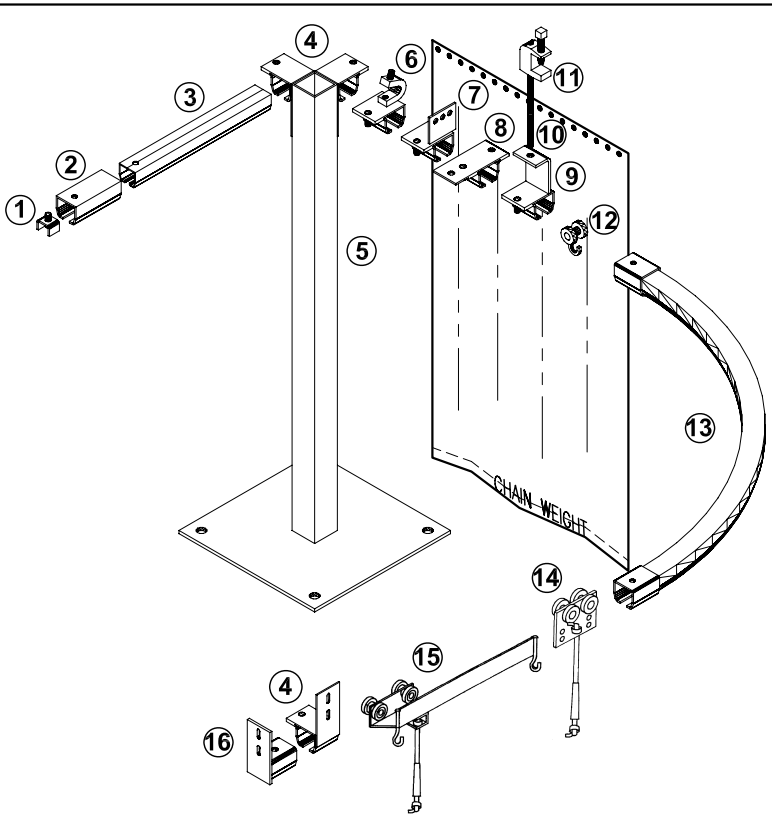
HARDWARE OPTIONS SEE NEXT PAGE

HARDWARE INSTALLATION OPTIONS

PLEASE CHECK HARDWARE NEEDED AND QUANTITY

- | | |
|--|---|
| <p><input type="checkbox"/> ① END STOP QTY _____
PART W04-43400</p> <p><input type="checkbox"/> ② TRACK SPLICE QTY _____
W04-43700</p> <p><input type="checkbox"/> ③ ROLLER TRACK QTY _____
W04-43040</p> <p><input type="checkbox"/> ④ TRACK BRACKET WALL MOUNT
a) UP QTY _____
W04-43570
b) DOWN QTY _____
W04-43580</p> <p><input type="checkbox"/> ⑤ COLUMNS - 10'-0" Height QTY _____
F80-50020</p> <p><input type="checkbox"/> ⑥ TRACK BRACKET QTY _____
(Edge Clamp)
W04-45500</p> <p><input type="checkbox"/> ⑦ TRACK BRACKET QTY _____
(Vertical)
W04-43600</p> <p><input type="checkbox"/> ⑧ TRACK BRACKET QTY _____
(Ceiling)
W04-43280</p> | <p><input type="checkbox"/> ⑨ TRACK BRACKET QTY _____
(Threaded Rod)
W04-43620</p> <p><input type="checkbox"/> ⑩ THREADED ROD QTY _____
(@ 10 ft. length)
F50-70320</p> <p><input type="checkbox"/> ⑪ BEAM CLAMP QTY _____
T35-85600</p> <p><input type="checkbox"/> ⑫ TROLLEY (Nylon Wheels) QTY _____
W04-43150
TROLLEY (Steel Wheels) QTY _____
W04-43190</p> <p><input type="checkbox"/> ⑬ CURVED TRACK QTY _____
90° - 2'-0" Radius)
W04-43120</p> <p><input type="checkbox"/> ⑭ TROLLEY W/ PULL ROPE QTY _____
(10'-0" rope)
W04-44100</p> <p><input type="checkbox"/> ⑮ OVERLAPPING TROLLEY
W/ PULL ROPE QTY _____
W04-45220</p> |
|--|---|

- ⑯ TRACK BRACKET END MOUNT
a) UP QTY _____
W04-43340
b) DOWN QTY _____
W04-43320



CURTAIN SIZE

_____ W x _____ H QTY _____

_____ W x _____ H QTY _____

FOR ADDITIONAL
HARDWARE OPTIONS
PHONE 1-800-263-8334